



s.92 NPT

Full Port 1/4"-4" hot forged brass ball valves

*150 psig non-shock working steam pressure.
Not suitable for throttling steam.
Ask our service center for specific suitability.



△ rated sizes 1/4" through 1"



Quality:

- 24h 100% seal test guaranteed
- Dual sealing system allows valve to be operated in either direction making installation easier
- No metal-to-metal moving parts
- Handle clearly shows ball position
- Silicone-free lubricant on all seals
- Chrome plated brass ball for longer life
- Handle stops on body to avoid stresses at stem

Body:

- Hot forged sand blasted, unplated brass body and cap sealed with Loctite® or equivalent thread sealant
- Finest brass according to EN 12165 and EN 12164 (formerly DIN 17660 and UNI 5705-65) specifications

Stem:

- Blowout-proof nickel plated brass stem
- Pure PTFE adjustable packing gland and reinforced washer for lower torque and easy maintenance
- Triple stem seals in sizes over 2"

Seals:

- Glass filled pure PTFE self-lubricating seats with flexible-lip design



Threads:

- NPT taper ANSI B. 1.20.1 Female by Female threads

Flow:

- Full port to DIN 3357 for maximum flow

Handle:

- Geomet® carbon steel handle with thick PVC dip coating. Handle coating offers both thermal and electrical protection
- Handle removable with valve in service

Working Pressure:

- 600 PSI up to 2", 450 PSI over 2", (150 WSP all sizes)
- non-shock cold working pressure

Working Temperature:

- -40°F / +366°F
- Warning: freezing of the fluid in the installation may severely damage the valve

Options up to 2" size:

- Stem extension
- Lead free for safe drinking water (0.25% or less Pb)
- T-handle
- AISI 430 stainless steel handle
- Oval lockable handle up to 2", round over 2"
- Patented locking device for valves up to 4"
- Male to female NPT threads up to 4"

Upon Request:

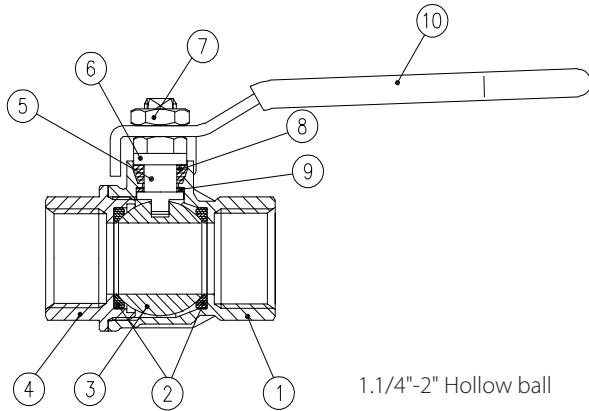
- AISI 316 stainless steel ball and/or stem
- Custom Design
- Pure PTFE seals

Approved by or in compliance with:

- Canadian standards Association (United States, Canada)
- Factory Mutual (United States)
- GOST-R (Russia)
- Hygiene and epidemic center in Moscow city (Russia)
- UkrSepro (Ukraine)
- RoHS Compliant

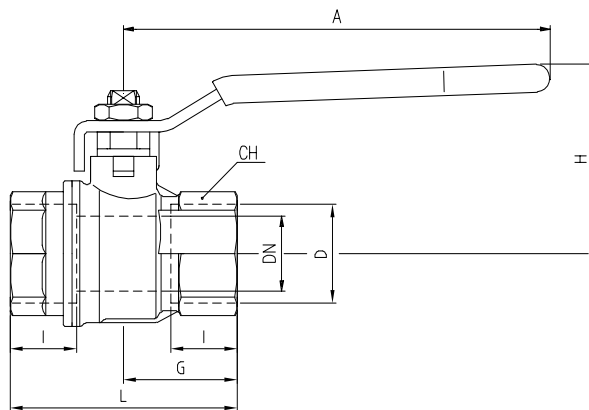
- Underwriters Laboratories (United States & Canada)
- Meeting WW-V-35C Federal U.S. Specification
- EAC - Declaration of conformity (Russia-Kazakhstan-Belarus)

NOTE: Approvals apply to specific configurations/sizes only.



1.1/4"-2" Hollow ball

PART DESCRIPTION	Q.TY	MATERIAL
1	1	CW617N
2	2	PTFE glass filled 5-15%
3	1	CW617N
4	1	CW617N
5	1	CW617N
6	1	CW617N
7	1	CB4FF
8	1	PTFE
9	1	PTFE carbon filled 25%
10	1	DD11

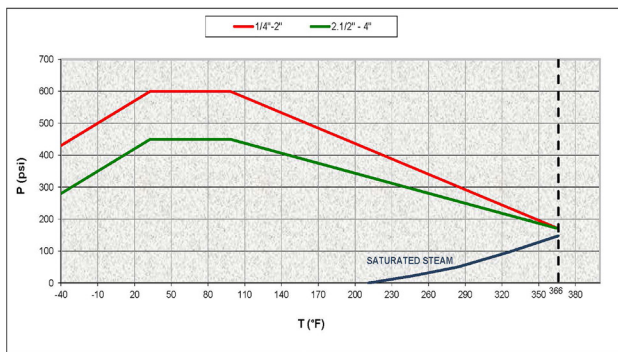


Code	S92B41	S92C41	S92D41	S92E41	S92F41	S92G41	S92H41	S92I41	S92L41	S92M41	S92N41
D (inch)	1/4	3/8	1/2	3/4	1	1 1/4	1 1/2	2	2 1/2	3	4
DN (inch)	0.314	0.393	0.590	0.787	0.984	1.259	1.574	1.968	2.559	3.149	3.937
I (inch)	0.472	0.472	0.610	0.669	0.826	0.905	0.905	1.043	1.260	1.377	1.633
L (inch)	1.771	1.771	2.322	2.519	3.188	3.661	4.015	4.763	6.141	6.968	8.504
G (inch)	0.885	0.885	1.161	1.259	1.594	1.830	2.007	2.381	3.070	3.484	4.252
A (inch)	3.228	3.228	3.937	4.724	4.724	6.220	6.220	6.220	10.039	10.039	10.039
H (inch)	1.563	1.563	1.695	1.988	2.153	2.988	3.236	3.500	5.196	5.511	6.062
CH (inch)	0.787	0.787	0.984	1.220	1.574	1.929	2.125	2.696	3.346	3.897	4.921

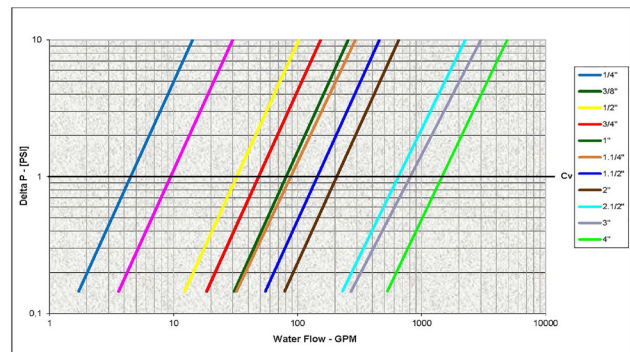
DN shows the nominal flow diameter. Actual flow diameter complies with full port DIN 3357 part 4. Stem configuration of valves over 2" is slightly different.

Ask for additional information on the whole range of **RuB** valves and consult with your supplier for special applications.

Pressure-Temperature Chart



Pressure Drop Chart



The company reserves all rights for the information contained herein. Products may be changed at any time without notice. Any undated reference to a code or standard shall be interpreted as referring to the latest edition. **RuB** and logo are registered trademarks of **RuB**-Rubinetteria utensilerie Bonomi. Other logos and registered trademarks are property of respective owners.

XCES92 - Rev: 3580