

## Rochester



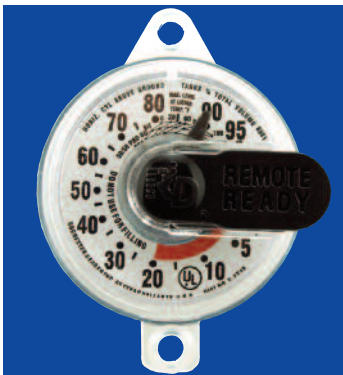
5986S02733

Gauge Construction		Orientation	Gauge Series*	Dial Number
Senior 4-Bolt	Above Ground	Top	6280	5986S02733
	Below Ground	Top	6280	5986S02799
	Vertical Cylinder	Top	6280	5986S02772
	Above Ground	Angle	6283	5986S02733
	Above Ground	End/Center	6283	5986S02733



5909S02799

Gauge Construction		Orientation	Gauge Series*	Dial Number
Junior 4-Bolt	Above Ground	Top	6281	5909S02733
	Below Ground	Top	6281	5909S02799
	Vertical Cylinder	Top	6281	5909S02772
	Above Ground	Angle	6284	5909S02733
	Above Ground	End/Center	6284	5909S02733



5909S02733

Gauge Construction		Orientation	Gauge Series*	Dial Number
Junior 1-1/4" NPT	Above Ground	Top	7281	5909S02733
	Above Ground	Angle	7284	5909S02733
	Above Ground	End/Center	7284	5909S02733



5909S02772

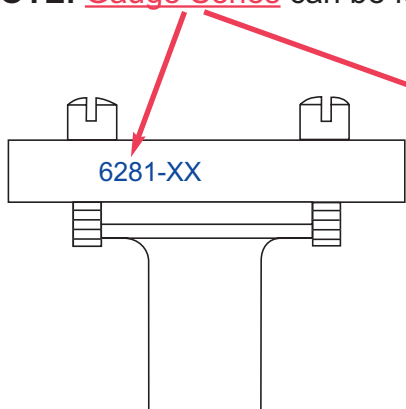
Gauge Construction		Orientation	Gauge Series*	Dial Number
Junior 1" NPT	Above Ground	Top	8981	5909S02733
	Vertical Cylinder	Top	8981	5909S02772



5AAAS02772

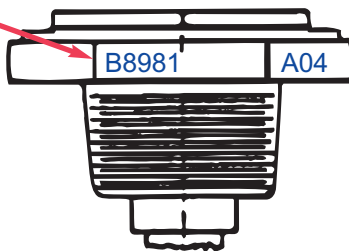
Gauge Construction		Orientation	Gauge Series*	Dial Number
Junior 1" NPT	Above Ground Snap-on	Top	8981	5AAAS02733
	Vertical Cylinder Snap-on	Top	8981	5AAAS02772

\*NOTE: Gauge Series can be found stamped on side of gauge head. See illustration below.



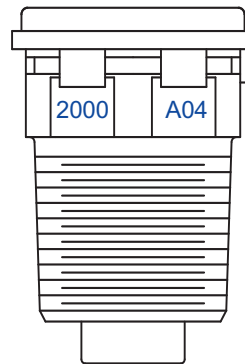
**Typical 4-Bolt gauge with Screw-on dial**

Dials are attached to head with two screws.



**Typical Threaded Gauge with Screw-on dial**

Dials are attached to head with two screws.



**Typical Threaded Gauge with Snap-on Dial**

Snap-on dials are attached to groove or recesses in head.

(All Threaded Gauges with Snap-on dials are either 8981 or B8981 series.)

## Rochester/Taylor Style



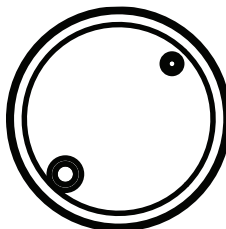
5988S02788

Gauge Construction		Orientation	Style	Dial Number
Junior/ Senior 4-Bolt	Above Ground	Top	A	5987S02787
	Above Ground	Top	B	5988S02788
	Vertical Cylinder	Top	B	5988S02889
	Below Ground	Top	B	5AAHS02824

Style B

Style A

**Style A**  
Backside detent lines up with the "E" mark on the front of dial



**Style B**  
Backside detent lines up with the "30%" mark on the front of dial

