

External Hydrostatic Relief Valves 3125, 3127, 3129, SS8001, SS8002, SS8021 and SS8022 Series

Application

Designed especially for the protection of piping and shut-off valves where there is a possibility of trapping liquid LP-Gas or anhydrous ammonia. They may be installed in pipelines and hoses located between shut-off valves or in the side boss of RegO® shut-off valves.

Features

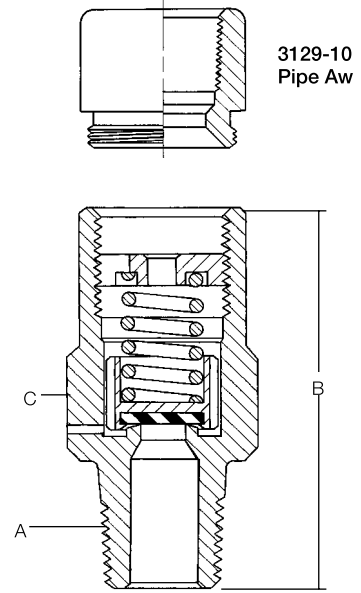
- Relief valve designed to automatically reseal firmly after discharge.
- Resilient seat disc provides a "bubble-tight" seal.
- Available in both brass and stainless steel.
- Available in configurations that permit direct attachment of vent piping when required.

Materials

Body (3125, 3127, 3129)..... Brass
 Body (SS8001, SS8002, SS8021, SS8022)..... Stainless Steel
 Spring..... Stainless Steel
 Seat Disc..... Resilient Rubber



3125 Series (.161 Orifice)
 3127 Series (.274 Orifice)
 3129 Series (.386)

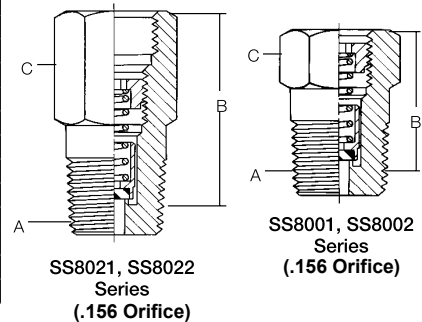


Ordering Information

Part Number	Start To Discharge Setting PSIG	Valve Body Material	A Container Connection M. NPT	B Height (Approx.)	C Wrench Hex Section	Accessories		
						Protective Cap	Pipeaway Adapter or Threads	
SS8001G	250	Stainless Steel	1/4"	7/8"	1 1/16"	-	-	
SS8002G			1/2"	1 1/8"	7/8"		1/4" NPSM Thrds	
SS8021G			1/4"	1 3/8"	1 1/16"		3/8" NPT Thrds	
SS8022G			1/2"	1 3/4"	1 1/8"		-	
3127G	275	Brass	1/4"	2 1/32"	1 1/8"	7545-40	3129-10*	
3129G			1/2"	2 1/8"	1 1/8"		-	
3127H			1/4"	2 1/8"	1 1/8"		-	
3129H			1/2"	2 1/8"	1 1/8"		3129-10*	
3127P	300	Brass	1/4"	2 1/8"	1 1/8"	7545-40	-	
3129P			1/2"	2 1/8"	1 1/8"		3129-10*	
SS8022P			1/2"	2 1/8"	1 1/8"		3/8" NPT Thrds	
3127J	350	Brass	1/4"	2 1/8"	1 1/8"	7545-40	-	
3129J			1/2"	2 1/8"	1 1/8"		3129-10*	
SS8001J			1/4"	2 1/8"	1 1/8"		-	
SS8002J			1/2"	2 1/8"	1 1/8"		-	
SS8021J	375	Stainless Steel	1/4"	2 1/8"	1 1/8"	7545-40	1/4" NPSM Thrds	
SS8022J			1/2"	2 1/8"	1 1/8"		3/8" NPT Thrds	
3127K			1/4"	2 1/8"	1 1/8"		-	
3129K			1/2"	2 1/8"	1 1/8"		3129-10*	
3125L	400	Brass	1/4"	1 1/8"	5/8"	7545-40	Included	
3127L			1/2"	1 1/8"	5/8"		7545-40	-
3129L			1/4"	2 1/8"	1 1/8"		3129-40P	3129-10*
SS8001L			1/2"	2 1/8"	1 1/8"		-	-
SS8002L	450	Stainless Steel	1/4"	2 1/8"	1 1/8"	7545-40	-	
SS8021L			1/2"	2 1/8"	1 1/8"		1/4" NPSM Thrds	
SS8022L			1/4"	2 1/8"	1 1/8"		3/8" NPT Thrds	
3127U			1/2"	2 1/8"	1 1/8"		-	-
3129U	450	Brass	1/4"	2 1/8"	1 1/8"	7545-40	3129-10*	
SS8001U			1/2"	2 1/8"	1 1/8"		-	
SS8002U			1/4"	2 1/8"	1 1/8"		-	
SS8021U			1/2"	2 1/8"	1 1/8"		1/4" NPSM Thrds	
SS8022U	1/4"	2 1/8"	1 1/8"	-	3/8" NPT Thrds			



SS8022G



SS8001, SS8002 Series (.156 Orifice)

* 1/2" F. NPT outlet connection.